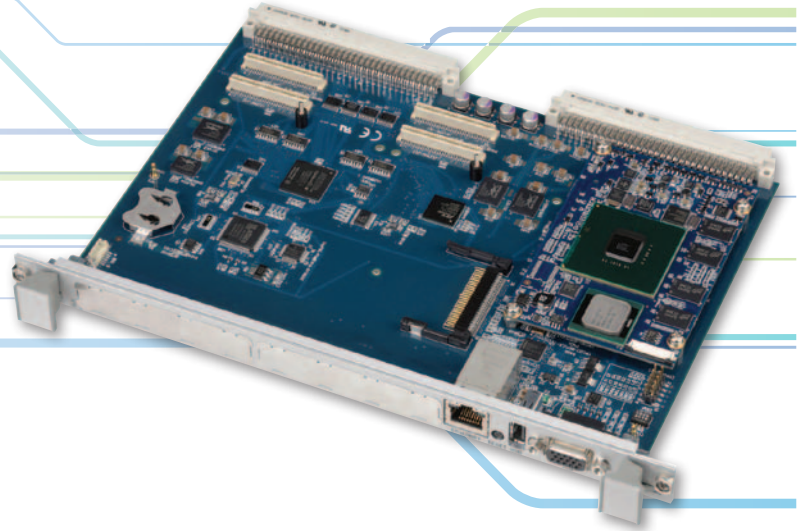


CPU 71-12

Intel® Atom™ processor Z520P 1.33GHz
Low power consumption
On-board DDR2-533 SDRAM (1GB) for main memory
Gigabit Ethernet x1
CompactFlash socket x1
32bit/33MHz PMC slot x2



FEATURES

Intel® Atom™ processor Z520P 1.33GHz - The CPU 71-12 supports the Atom processor at 1.5GHz

Low power consumption - The CPU 71-12 typically draws only 8W (excluding PMC)

Front panel I/O - Gigabit Ethernet x1, USB, VGA and PMC I/O

CompactFlash - x1 available CF socket on board

2 Expansion Slots – Two PMC slots with front panel access provide plenty of expandability

OS Support, including Real Time – The CPU 71-10 supports industry-strength Operating Systems, including VxWorks for Real Time and Linux

- Industrial
- Real Time Control
- Networking

The CPU-71-12 is a 6U VME bus single board computer based intel® Atom™ processor.

Equipped with 2 PMC slots, the CPU-71-12 is able to expand its I/O with a combination of various PMC modules. GigabitEthernet, VGA, and USB are available on the front panel. It has an onboard CF slot which can be used for OS booting and storage.

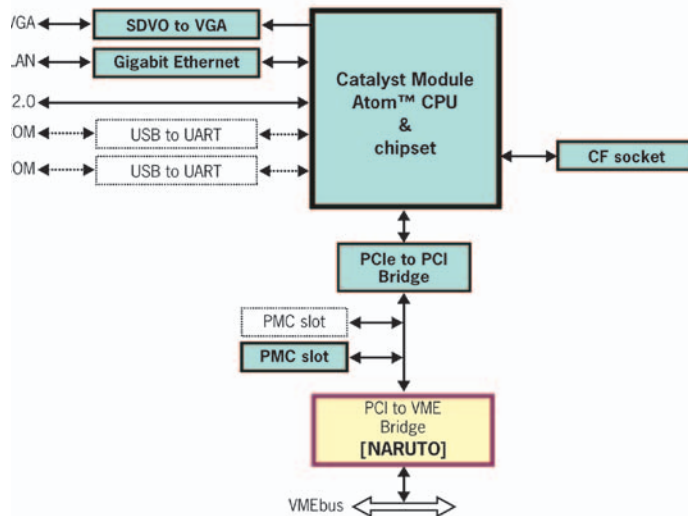
There is an option which extend two COM-ports in the front panel. But, in that case, the number of available PMC slots becomes one.



System Architecture

CPU	Processor	Intel® Atom™ Z520P 1.33GHz 40-85
	L1 cache	24kB for data / 32kB for instruction
	L2 cache	512kB for data and instructions
MEMORY	Main Memory	DDR2-533 Memory capacity 1GB
	Boot ROM	FWH-FLASH memory On board implementation
	Serial EEPROM	4KB
	MRAM	2kbit
FRONT PANEL I/O	Ethernet	10/100/1000 BASE-T ×1
	USB	USB 2.0 ×1
	Graphics	VGA ×1
	PMC slot	PMC slot ×2 or PMC slot ×1 and COM port ×2
ONBOARD I/O	CompactFLASH	CF+ and CompactFlash Rev2.1 standards ×1 (No CompactFlash installed)
	VME BUS	Standard VME64x 2eSST Tsi148 Compatibility A32 /D32 Functions System controller, Interrupt handler) Bus bridge NARUTO PCI/VME bus bridge
PCI BUS (PMC)		32BIT 33MHZ VIO=3.3V
POWER SUPPLY		DC5V / DC±12V (used in PMC only)
Consumption current		1.6A (typ.) Form Factor
ENVIRONMENTAL		RoHS Compliant
FORM FACTOR		6U size, Single slot width
ENVIRONMENTAL	RoHS	Compliant

Block Diagram



Note: The information in this document is subject to change without notice and should not be construed as a commitment by EUROTECH. While reasonable precautions have been taken, EUROTECH assumes no responsibility for any error that may appear in this document. All trademarks or registered trademarks are the properties of their respective companies.